

Features

- 7" Industrial Compact Size Panel PC
- Intel Apollo Lake N4200/ N3350 (option)
- On Board 4GB/ 8GB DDR3L 1600MHz
- Flat front panel touch screen
- IP66 compliant front panel
- Optional projected capacitive touchscreen support 7H anti-scratch surface
- DC 9~36V wide-ranging power input
- High Brightness 1,000 nits for option

Specifications

| System | |
|----------------|--|
| CPU | Onboard Intel Apollo Lake N4200 (4 Core, 1.1GHz) / N3350 (2 Core, 1.1GHz) (option) |
| System Chipset | SoC |
| Memory | Onboard 4GB/ 8GB (option) DDR3L 1600MHz |

| I/O Port | |
|-------------------|---|
| USB | 2 x USB 3.0 type A |
| Serial / Parallel | 1 x DB-9 RS-232/422/485, COM1 (Default RS-232) 1 x RS-232 DB-9, COM2 |
| Audio | 1 x Audio Line Out |
| LAN | 2 x GbE LAN RJ-45 |
| Power | 1 x 3-pin DC power input terminal 1 x 2-pin connector for power on/off |
| Option | VESA Stand 4G LTE/Wi-Fi/BT |

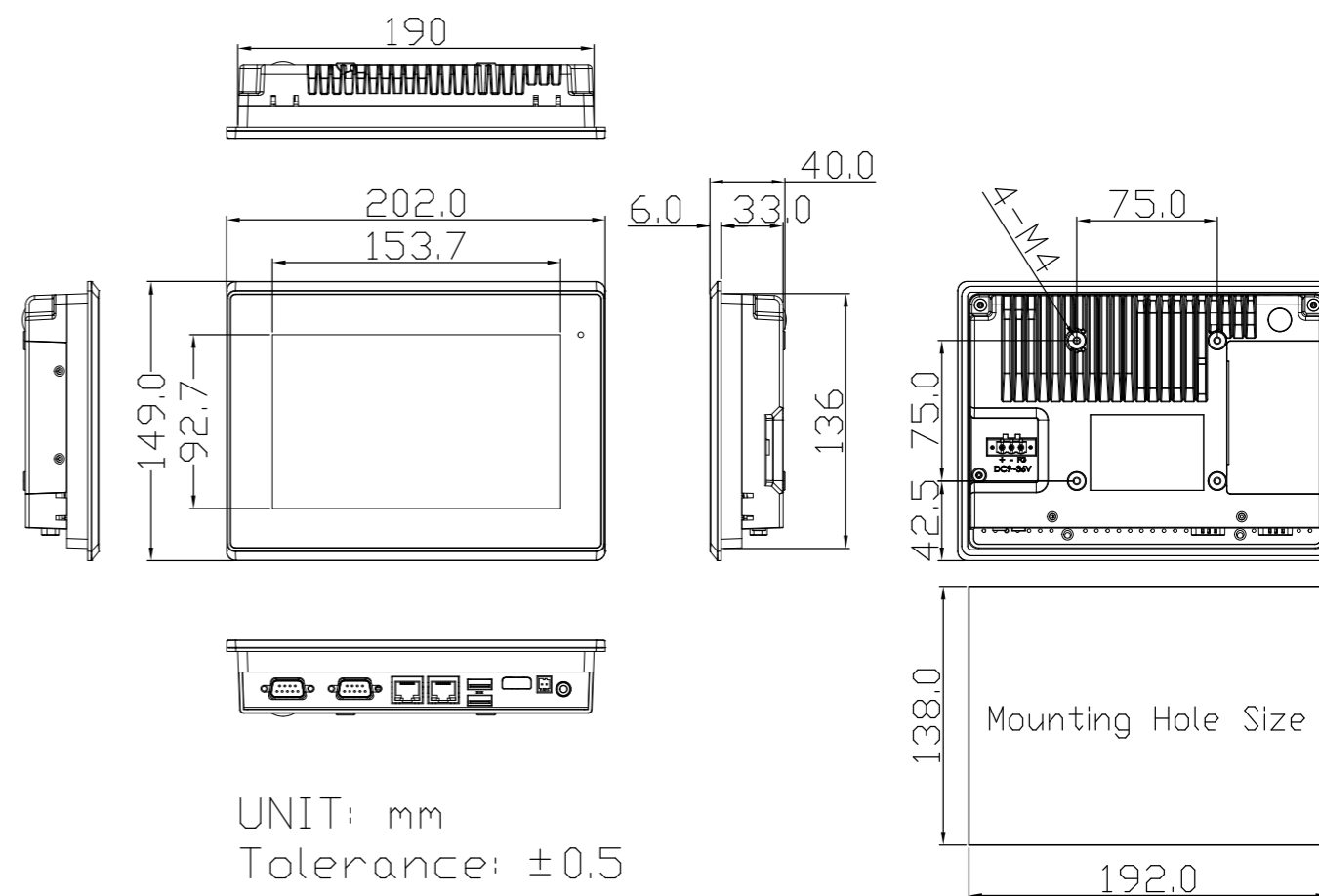
| Storage Space | |
|---------------|---|
| HDD | 1 x MO-297 SATA SSD bay (Easy Accessible) |

| Expansion | |
|----------------|---|
| Expansion Slot | 1 x Internal Mini-PCIe slot full size 1 x SIM card holder / Micro SD card reader |

| Display | Standard | High Brightness Optional |
|--------------------------------|-----------------|--------------------------|
| Display Type | 7" TFT-LCD | 7" TFT-LCD |
| Max. Resolution | 800 x 480 | 800 x 480 |
| Max. Color | 262K | 262K |
| Luminance (cd/m ²) | 350 | 1000 |
| View Angle | 140(H) / 120(V) | 140(H) / 130(V) |
| Contrast | 400:1 | 400:1 |
| Backlight Lifetime | 50,000 hrs | 50,000 hrs |

| Touch Screen | |
|-----------------------|---|
| Type | Resistive Touch (for AR Model) Projected Capacitive Touch (for AP Model) Glass (for AG model) |
| Interface | USB |
| Light Transmission(%) | Resistive Touch Window: over 80% Projected Capacitive Touch: over 90% |

Dimensions



| Power | |
|-------------------|-------------------------|
| Power Input | DC 9~36V |
| Power Consumption | ARCHMI-807AP: 27W (MAX) |

| Mechanical | |
|--------------------|------------------------------|
| Color | RAL 9007 |
| Construction | Aluminum die-casting chassis |
| Mounting | Panel Mount, VESA 75 x 75 |
| Dimensions (WxHxD) | 202mm x 149mm x 40mm |
| IP Rating | IP66 Compliant Front Bezel |
| Net Weight | 1.1 kg |

| Environmental | |
|-----------------------|----------------------------------|
| Operating Temperature | 0~50°C / -20~60°C (option) |
| Storage Temperature | -30~70°C |
| Humidity | 10 to 95% @ 40°C, non-condensing |
| Certificate | CE/FCC Class A |

| Operating System Support | |
|---------------------------|--|
| Windows 10 IoT Enterprise | |

