

QBiX-Pro-WHLA8265H-A1

Industrial system with Intel® Core™ i5-8265U Processor/ Fanless Design / Dual Channel DDR4 up to 32GB/ 2 x HDMI



Features

- System Size : 178W x 125D x 52.7H (mm)
- Intel® Core™ i5-8265U Processor
- Dual Channel DDR4, 2 x SO-DIMMs
- 2 x HDMI for Dual display
- 2 x GbE LAN ports

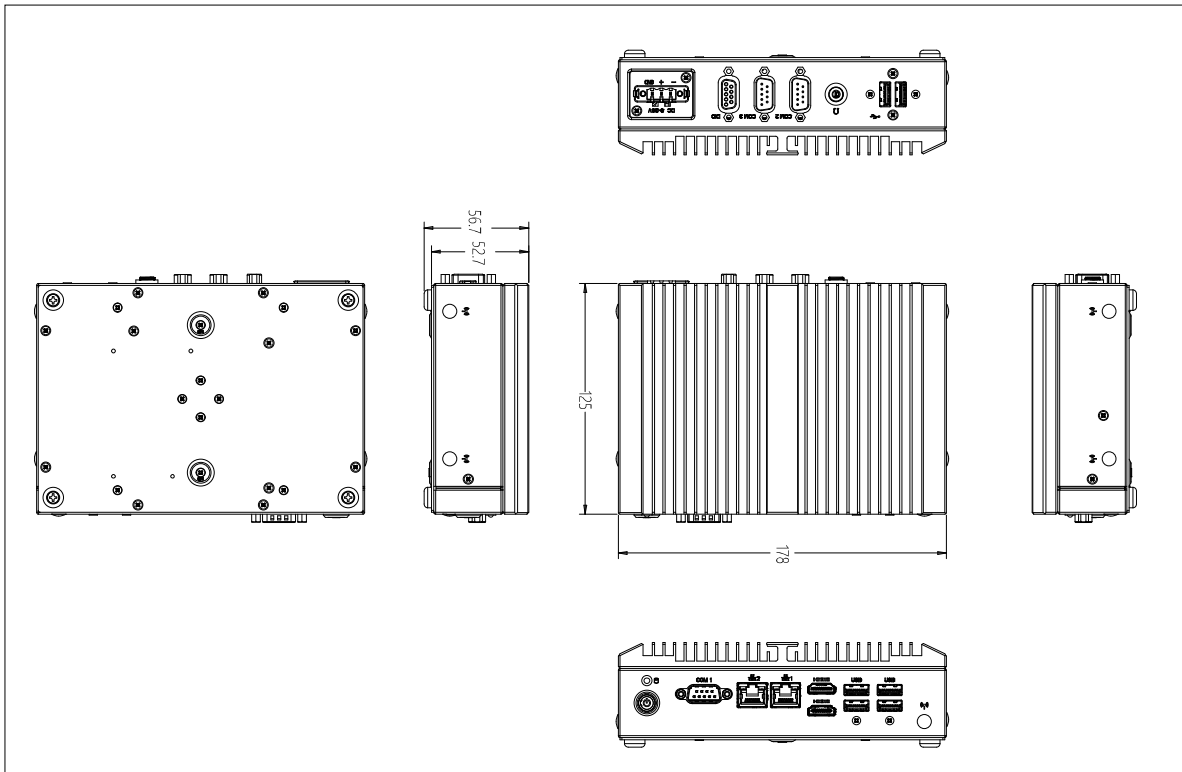
Specifications

Dimension	System Size : 178W x 125D x 52.7H (mm)
CPU	Intel® Core™ i5-8265U Processor 14nm, 4 cores, 8 threads, up to 3.9 GHz TDP 15W
Chipset	SoC
Memory	2 x DDR4 SO-DIMM sockets, Max. Capacity 32 GB Support Dual Channel DDR4 2400 MHz memory modules
Ethernet	2 x GbE LAN ports (Intel® i219V and Intel® i211AT)
Graphic support	Integrated Graphics Processor - Intel® UHD Graphics 620: 2 x HDMI 1.4 ports, supporting a maximum resolution of 4096x2160 @30Hz (2 independent display outputs)
Audio	Realtek® Audio codec
Storage	1 x 2.5" HDD/SSD (SATA 6Gb/s)
Expansion Slots	1 x 2280 M.2 M-Key (PCIe x4, SATA 6Gb/s) 1 x 2230 M.2 E-Key (WiFi/BT) 1 x Full-size Mini PCIe with SIM slot (PCIe x1 + USB2.0) -- support 3G/4G module
Front I/O	2 x RJ45 LAN ports 4 x USB 3.1 Gen2 2 x HDMI 1 x Power button with LED 1 x HDD LED 1 x COM port (RS-232/422/485 and RI/5V/12V)
Rear I/O	2 x USB 2.0 2 x COM ports (RS-232) 1 x GPIO (8 bits) 1 x Headphone Jack 1 x 3-pin Terminal Block
Side I/O	2 x External Antenna Hole (Optional)
Power	+9~36VDC (Full Range)
Operation temperature	Operating temperature: 0°C to 50°C Operating humidity: 0-90% (non-condensing) Non-operating temperature: -20°C to 70°C Non-operating humidity: 0%-95% (non-condensing) Use wide temperature range memory and storage
Vibration During Operation	Operation: IEC 60068-2-64, 5 Grms, random, 5 ~ 500 Hz, 1 hr / Per Axis, With SSD/M.2 2280 Non-operation: IEC 60068-2-6, 2 G, Sine, 10 ~ 500 Hz, 1 Oct/min, 1 hr / Per Axis
Shock During Operation	Operation: IEC 60068-2-27, 50 G, half sine, 11 ms duration, With SSD

GIGAIPC reserves the right to modify or change technical data without prior notice.

Dimension

Unit: mm



Packing Content

- Box Packing Capacity: 5pcs
- Carton size: 505 x 333 x 231(mm)
- Content:
 - SCREW I HEAD FOR 25HDD M3x8L x 4 (P/N: 25KSG-130081-K1R)
 - THERMAL PAD x 2 (P/N: 25ST3-200052-T5R)
 - THERMAL PAD x 1 (P/N: 25ST3-200051-T5R)
 - CABLE SATA x 1 (P/N: 25CF4-070020-S9R)
 - TERMINAL BLOCKS MALE PLUG x 1 (P/N: 25I00-5ESDVO-D2R)

Order Information

- System: 6BQP8265AMR-SI

OPTIONAL KIT

- TPM 2.0 module P/N: 9CTM000NR-00
- TPM Cable P/N: 25CRZ-100600-S9R

GIGAIPC reserves the right to modify or change technical data without prior notice.