

N185KGE DNV Monitor

Productsheet N185KGE (2021-08)

Dutch design & production

N-Line Panel Mount Glass

Panel Mount Glass monitors are built-in monitors and can be flush-mounted into a desk or recess. The monitors are made of metal with a full glass front. As such, the monitors are waterproof at the front.



Panel:

Display	18.47 inch
Active area HxV	408.96x230.04
Aspect ratio	16:9
Resolution	1920x1080
Viewing angle U/D/L/R	89/89/89/89
Contrast ratio	1000
Native Brightness (cd/m ²)	350
High Bright ¹ - option	1000

Video inputs:

HDMI	V
DVI-D	V
VGA	V
CVBS (BNC)	V

Power input:

12VDC (Desktop PSU 115/230VAC)	V
9~36VDC (Galvanic isolated)	V (2p screw)

Touchscreen:

Resistive (USB & RS232)	x
Projected capacitive (USB or RS232)	V

Environmental:

Operating temperature (°C)	-20 to 70
Protection rate front (IEC 60529)	IP68



Dutch design & production

Controls:

On-front dimming	V
External dimming	O
Light Sensor Auto Dimming	x
RS-485 NCOM	O
NControl	O

Certificates:

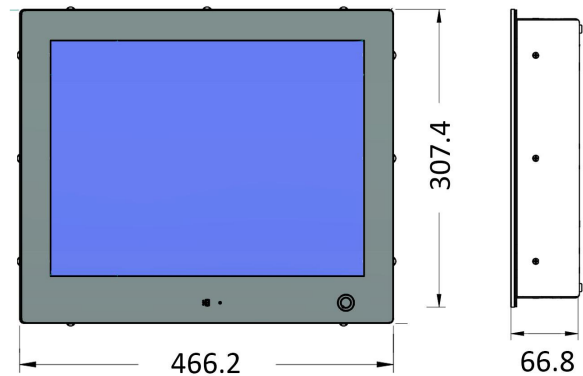
CE	V
IEC60945	V
DNVGL	V

Optional enhancements:

High Bright LED ¹	O
Anti Glare Glass ²	V
Optical Bonding ³	V

Dimensions:

Unit WxHxD (mm)	466.2x307.4x66.8
Packaging WxHxD (mm)	610x440x150
Weight (without options) (kg)	Not available
Weight (incl. all options) (kg)	Not available
Weight (incl. packaging) (kg)	Not available



1) High Bright

The deployment of High Bright LED ensures that monitors can be read, also in case of extremely bright (sun)light. Where a standard monitor provides about 400 nits of light output, the upgrade to high bright LED could achieve 1500 nits or more. This option is often applied in combination with Optical Bonding.

2) Anti Glare Glass

Anti Glare glass is a float glass with a high resolution and no reflective effect. The glass is almost free from any bothersome reflection. It is suitable as a mountable lens for high resolution screens and premium displays.

3) Optical Bonding

During Optical Bonding a gel coating is applied between the LCD surface and the glass. As a result, the lack of extra light refraction becomes the main feature, in addition to the advantages of absence of dust and moist, as also resistance to vandalism. Another major advantage is the faster heat drainage. In terms of image, the contrast and brightness are enhanced. A clear image is created when a combination is made with one of the other techniques.