



Rear I/O

Features

- Compact fanless system with for IBASE MB300 customized board
- 7th/6th Gen Intel® Core™ i7/i5/i3 Processors (35W TDP)
- 2MB MRAM module (optional)
- Front removable drive bay for HDD/SSD (supports RAID 0/1)
- 1x PCI-E (x8) + 1x PCI-E (x4) expansion slot
- Over/Under/Reverse voltage protection
- Supports DIN-rail mount & wall mount
- iSMART, iAMT (11.6)

Specifications

System Mainboard	MB300 with Intel® Q170 PCH
CPU Type	7th/6th Gen Intel® Core™ i7/i5/i3 desktop Processors (35W TDP)
System Speed	Up to 3.4GHz
Memory	2x DDR4-2133 SO-DIMM, Max. 32GB
Construction	Aluminum & steel
Chassis Color	Silver & Gray
Front Panel External I/O	2x Antenna hole for WLAN module
Rear Panel External I/O	1x DVI-I + 1x DisplayPort connector 1x Audio jack for Line-out 4x USB 3.0 ports, 2x USB 2.0 ports 1x Red HDD LED, 1x green power LED 2x Error LED by programming 1x Power button 1x 2-pin terminal block for external power button 1x RS232/422/485 port for COM#1 1x RS232 port for COM#2 2x RJ45 Gigabit Ethernet port 1x 3-pin DC-in terminal block for 24V(±10%)
Expansion Slots	1x Mini PCI-E sockets (full-size) 1x PCI-E (x8) slot 1x PCI-E (x4) slot
Storage	2x 2.5" HDD/SSD (1x internal & 1x external-accessible) + 1x mSATA socket
Mounting	Desktop or wall mounting (wall mount kit included) Side mounting DIN-rail mounting (optional)
Dimensions	275mm (W) x 140mm (D) x 117mm (H) 10.83" (W) x 5.51" (D) x 4.61" (H)
Weight	3.3kg
Operating Temperature	-10°C to 60°C (14°F ~ 140°F) *with air flow -10°C to 50°C (14°F to 122°F) without air flow
Storage Temperature	-20°C to 80°C (-4°F to 176°F)
Relative Humidity	5~90% @ 45°C, (non-condensing)
Vibration	Non-Operating: 1.0 grms / 5~500Hz / random operation Operating: 0.25 grms / 5~500Hz / random operation
Certification	CE / LVD / FCC Class B

Ordering Information

AMS302	Fanless System with MB300, w/ Intel® Core™ i7/i5/i3 desktop Processor, 2x COM, 2x 4GB memory, 1x 2.5" 64GB MLC industrial-grade SSD, 1x PCI-E (x8) + 1x PCI-E (x4) expansion slots, w/o power adaptor
180W power adaptor (optional)	180W (24V @7.5A) power adaptor, bare wire type Compatible with IEC62368-1/EN62368-1
2nd storage ACC Kit (optional)	Storage ACC Kit including screws and cable (SC2AMS300--A10100R)
Optional Accessories	WiFi/BT antenna kit 4G/LTE antenna kit (Must w/ M2MU2-S) GPS antenna kit (Must w/ M2MU2-S)

Recommended Processor list

Model	TDP	Base Freq	Turbo Freq	Cache	Cores / Threads
i7-7700T	35W	2.9 GHz	3.8 GHz	8M	4/8
i7-6700TE	35W	2.4 GHz	3.4 GHz	8M	4/8
i5-7500T	35W	2.7 GHz	3.3 GHz	6M	4/4
i5-6500TE	35W	2.3 GHz	3.3 GHz	6M	4/4
i3-7101TE	35W	3.4 GHz	N/A	3M	2/4
i3-6100TE	35W	2.7 GHz	N/A	4M	2/4
G4400TE	35W	2.9 GHz	N/A	3M	2/2
G3900TE	35W	2.6 GHz	N/A	2M	2/2

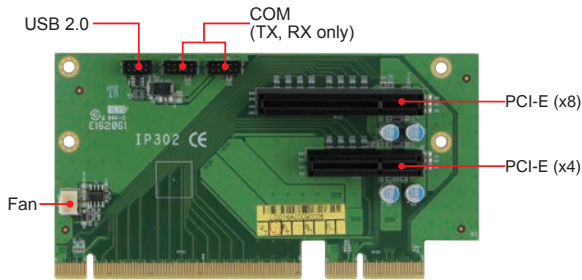
Compact size for material & cost reduction



Add-on card expansion slot

Expansion Cards

IP302



Flexible Mounting

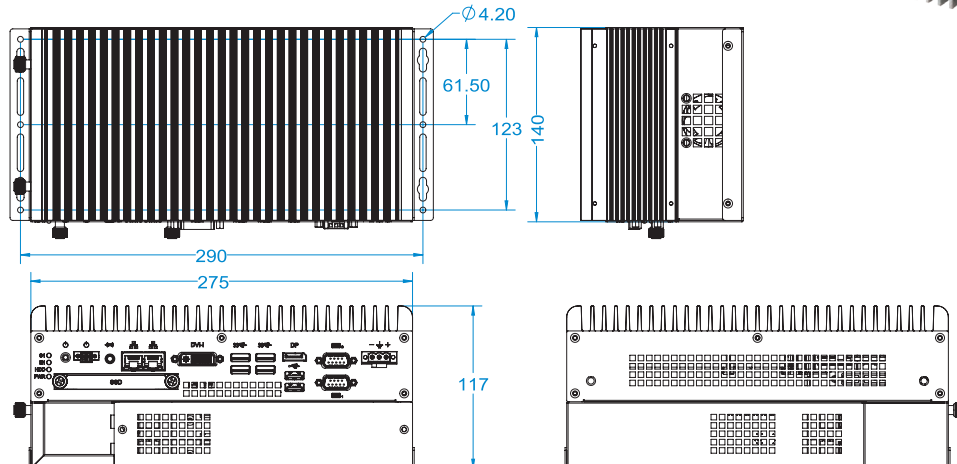
Side Mounting



DIN-rail Mounting



Dimensions and Drawing



- 1 AGS Series
- 2 AMS Series
- 3 AMI Series
- 4 CMI Series
- 5 ASB Series
- 6 CSB Series