

SP-190R-11115G4

Industrial Fanless 19" Panel PC , w/ 11th Gen Intel® Core™ Tiger Lake Platform



Features

- Onboard 11th Generation Intel® Core™ Tiger lake U i7/i5/i3 Processor
- 19 inches LED panel, front panel IP66
- Aluminum alloy structure makes product light, firm, and better heat dissipation
- Industrial-grade true-flat 5-wire resistive touch screen
- Support Mini-PCIe/M.2 extension of multiple modules
- Support Three GbE LAN
- Wide voltage 10~36V DC-IN, lockable phoenix connector
- Support remote ON-OFF
- Grounding protection for product shell
- Support 2 x 3W 4Ω speaker
- Support 1 x 2.5 inches HDD/SSD expansion
- Support standard VESA and panel mount
- Over-voltage power input protection
- Reversed power input protection

System

CPU	Intel® Core™ i3-1115G4 3.0G (6M Cache, up to 4.1GHz)
Memory	1 x DDR4 3200 MHz SO-DIMM, up to 32 GB
Graphics	Intel® UHD Graphics for 11 th Gen
LAN chipset	1 x Intel® I226V GbE (10/100/1000 Mbps) 2 x Intel® I210-AT GbE (10/100/1000 Mbps)
Watchdog Timer	Programmable 255 levels timer interval, from 1~255 sec/min

Storage

Device	1 x 2.5" SATA3.0 HDD/SSD 1 x M.2 2242 SSD slot
--------	---

Audio

Type	1 x Audio(Line-out&Mic-in 2 in 1)
Speaker	1 x Audio(Line-out&Mic-in 2 in 1), ALC888S 2 x Speaker 4Ω3W

LCD Display

Size/Type	19" Panel
Max. Resolution	1280(H) x 1024(V)
Ratio	4:3
Luminance	250 cd/m ²
Contrast Ratio	1000
Backlight	LED Backlight
Backlight Lifetime	30000 Hrs
Touch Screen	5-Wire Resistive Touchscreen
Touch	35,000,000 times
View Angle	CR ≥ 10, 80° (T)/80° (B) 85° (L)/85° (R)

Power System

Power Input	DC 10~36V 1 x Power Connector (2P Phoenix)
-------------	---

OS

Windows 10, Linux

Qualification

Certification	CCC/CE/FCC
---------------	------------

External I/O

Serial Ports	2 x RS232/422/485 (COM1/2) with DB9 2 x RS232/RS485 2 x RS232 with 12PIN Phoenix connector
USB Ports	4 x USB 3.1
LAN Ports	3 x RJ45
Video Ports	1 x HDMI (up to 4096 x 2304@60Hz)
Remote On-Off	1 x Remote ON-OFF
OS Reset	1 x OS reset
Power button	1 x Power button W/LED(Power ON-LED ON/ Power OFF-LED OFF)

Internal I/O

Expansion	1 x Mini-PCIe (PCIe/USB2.0 signal supported) 1 x M.2 Key-E 2230 slot (WiFi +BT supported) 1 x SIM socket
-----------	--

Mechanical

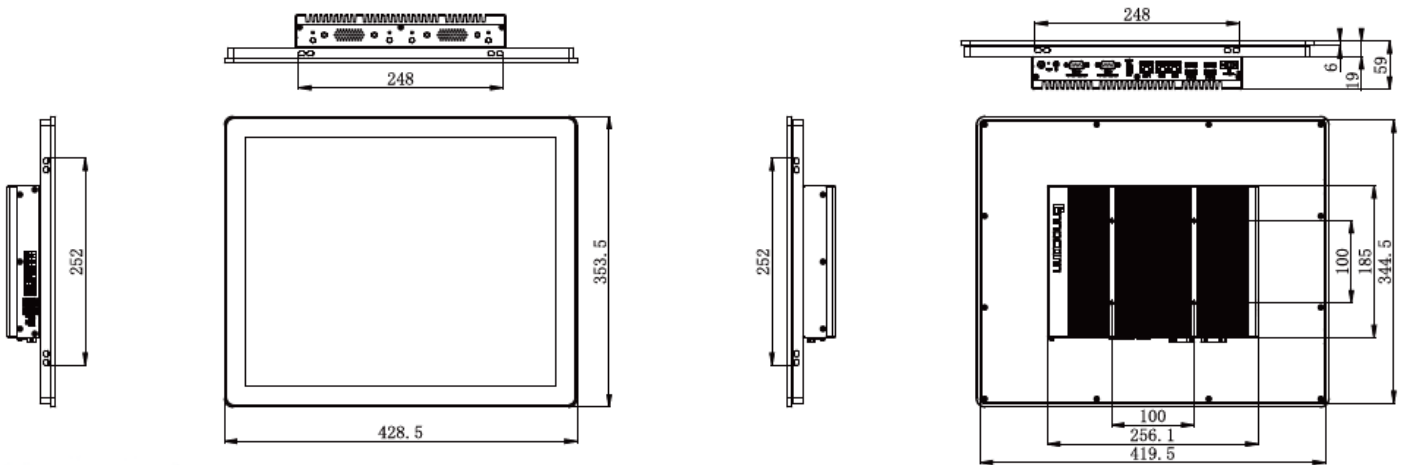
Mounting Type	Panel Mount, Wall and VESA-mount (100 x 100mm)
Chassis	Aluminum for front Panel and heat-sink, SECC for Rear Cover
Dimension (W x H x D)	428.5(W) x 353.5(H) x 59(D)mm
Cut out	420.5 x 345.5mm
Weight (Net)	8.0 kg
Ingress Protection	Front panel IP66

Environmental

Operating Temp.	-10 ~ 50°C
Storage Temp.	-40 ~ 70°C
Operating Humidity	5 ~ 95% (non-condensing)
Random Vibration	5~500Hz, 2Grms operation
Sine Vibration	5~500Hz, 2G Non-operation
Shock	10g 11ms operation, 30g 11ms Non-operation



Dimensions



Ordering Information

SP-190R-11115G4 19" (4:3) Panel PC w/ Intel i3-1115G4 3.0G, DC10-36V power input

