

## Features

- Solid aluminum die-casting chassis
- IP66 compliant front panel / IP69K (option)
- VGA and DVI-D input
- System power LED light
- Wide range DC 9~36V power input
- High Brightness LCD for option
- Support protective AR glass for option (non-touch version)

## Specifications

I/O Port	
VGA	1 x VGA
DVI	1 x DVI-D
OSD Control Membrane	OSD on rear side On board controller, extendable key pad from connector
Power	1 x 3-pin terminal block for DC 9~36V power input
Others	1 x USB type A for touch control Optional I/O: 1 x Line in by phone jack 1 x RS-232 DB-9 for touch control

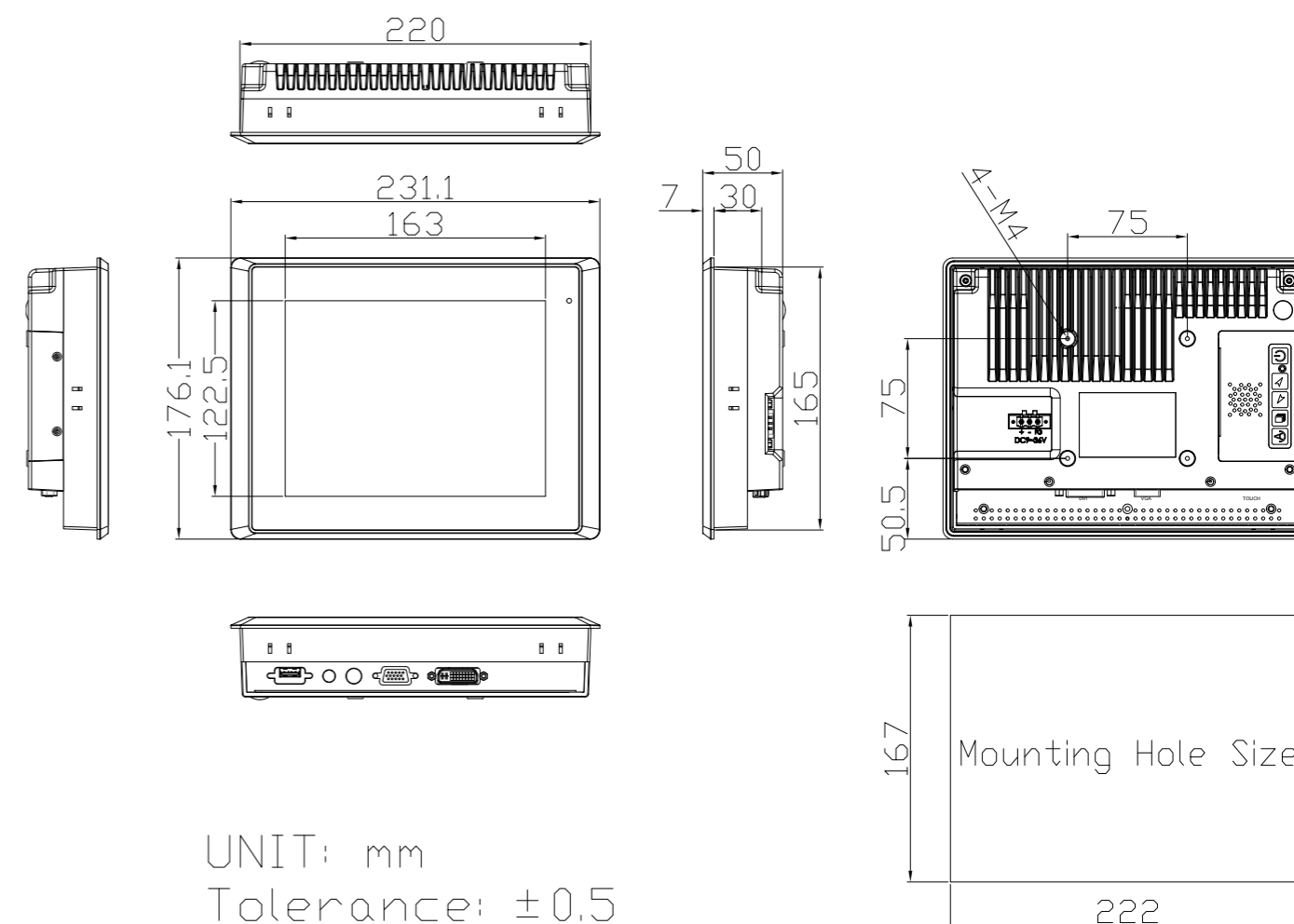
Display	Standard	High Brightness Optional
Display Type	8" TFT LCD	8" TFT LCD
Max. Resolution	800 x 600	800 x 600
Max. Color	16.2M	16.2M
Luminance (cd/m <sup>2</sup> )	350	1000
View Angle	140(H) / 125(V)	140(H) / 125(V)
Contrast	500:1	500:1
Backlight Lifetime	40,000 hrs	30,000 hrs

Touch Screen	
Type	Resistive Touch (For ARCDIS-108 model) Projected Capacitive Touch (For ARCDIS-108P model) Glass-AR (For ARCDIS-108G model)
Interface	USB default (Resistive / Projected Capacitive Touch) RS-232 Option (Resistive Touch)
Light Transmission(%)	Resistive Touch : over 80% Projected Capacitive Touch : over 90%

Power	
Power Input	DC 9~36V
Power Consumption	MAX: 4.7W (108) / MAX: 3.6W (108P)

Mechanical	
Construction	Aluminum die-casting chassis
Mounting	Panel mount / VESA mount 75 x 75
IP Rating	IP66 compliant front panel / IP69K(option)
Dimensions (WxHxD)	231.1 x 176.1 x 50 mm
Net Weight	1.8 kg

## Dimensions



Environmental	
Operating Temperature	0~50°C / -20~60°C for option
Storage Temperature	-30~70°C
Storage Humidity	10 to 90% @ 40°C, Non-condensing, without touch screen
Certificate	CE/FCC, Class A

Ordering Information	
ARCDIS-108	8" SVGA FPD Industrial Display, Resistive Touch Window, VGA, DVI input, 5 keys Rear OSD, DC 9~36V power input with adapter, Aluminum Die-casting Chassis.
ARCDIS-108P	8" SVGA FPD Industrial Display, Projected Capacitive touch screen, VGA, DVI input, 5 keys Rear OSD, DC 9~36V power input with adapter, Aluminum Die-casting Chassis.
ARCDIS-108G	8" SVGA FPD Industrial Display, Glass screen, VGA, DVI input, 5 keys Rear OSD, DC 9~36V power input with adapter, Aluminum Die-casting Chassis.