

# FPC-7910

Robust Box PC with Intel® 6<sup>th</sup> & 7<sup>th</sup> Generation Core™ i7/i5/i3 Processor



## Features

- Fanless Design
- Wide Range DC Power Input (9 ~36V)
- Various Video Interfaces (VGA + DVI-D+HDMI) supported
- TPM2.0 support ( Optional)
- Optional Wi-Fi or HSUPA Wireless Connectivity supported
- Rugged Design for Shock/Vibration Protection
- Memory support up to 32GB

## System

CPU	Intel® 6 <sup>th</sup> & 7 <sup>th</sup> generation Core™ i7/i5/i3 processor in LGA1151 socket
Memory	2 x 260-pin DDR4 SO-DIMM sockets, supporting 2133 MHz SDRAM up to 32GB
Chipset	Intel® H110
Graphics	Integrated Intel® HD Graphics
ATA	2 x Serial ATA ports with 600MB/s HDD transfer rate
LAN Chipset	2 x Intel® WGI211AT GbE controllers 1 x Intel® WGI219LM GbE controller
Watchdog Timer	1~255 levels reset

## I/O

Serial Port	4 x RS-232 ports via one DB-44 female connector. (COM3 and COM4 are RS-232 /422/485 configurable)
Selectable Poart	1 x DB25 connector for DIO (8 in/8 out) port or LPT port (either one, default is DIO)
USB Port	6 x USB 2.0 ports, 4 x USB 3.0/ 2.0 ports
LAN	3 x RJ-45 ports for GbE
Video Port	1 x DB-15 female connector for Analog RGB 1 x HDMI
	1 x DVI-D female connector for digital video output  * Support 2 independent display
Audio	Mic-in/Line-out
Expansion Bus	1 x Mini-card socket interconnected with SIM card socket for optional Wi-Fi or HSUPA module
	1 x SIM socket/1 x CFAST socket (outside accessible)

## Environmental

Operating Temp.	-20 ~ 55°C (-4 ~ 131°F), ambient w/ air flow
Storage Temp.	-40 ~ 85°C (-40 ~ 185°F)
Operating Humidity	10 ~ 95% @ 55°C (non-condensing)
Vibration	3 Grms/5~500Hz/random operation w/ SSD
Shock	Operating 40G (11ms), Non-operating 60G with SSD

## Qualification

Certification	CE, FCC Class A
---------------	-----------------

## Power Requirement

Power Input	DC 9~36V input w/ 4-pin terminal block
Power Consumption	Max. 65W (w/o I/O card)

## Storage

Type	2 x 2.5" drive bays 1 x CFAST socket, can be outside accessible
------	--

## Mechanical

Construction	Aluminum alloy
Mounting	Wall-mount
Weight	5.8 kg (12.78 lb)
Dimensions (W x H x D)	FPC-7910 :195 x 75 x 268 mm (7.68" x 3.54" x 10.55")

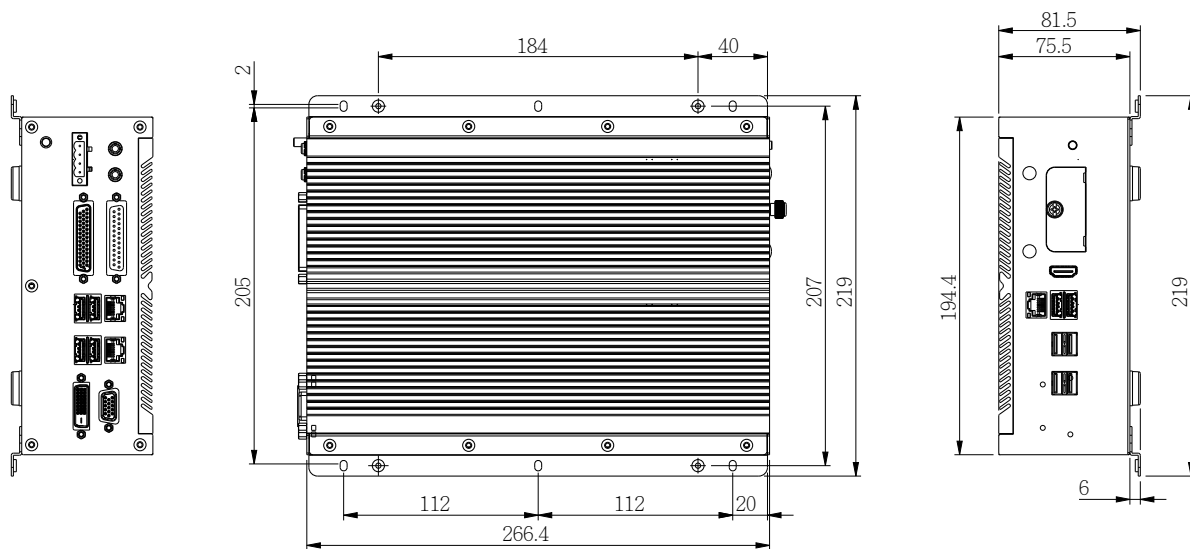
## OS Support

W7 Pro / WS7E /W10IOT

## Ordering Information

FPC-7910	Fanless system w/o expansion.
----------	-------------------------------

## Dimensions



### Optional Accessories

PAC-120W6-FSP 120W AC/DC 24V adapter kit w/ 2-pin/3-pin/4-pin block



CBL-7100-COM 4 x COM ports converter cable



WMK-7000 Wall-mount kit for FPC-7XXX Series



### Optional Configuration (CTOS\* Kit)

150GB SSD Intel® 2.5" 150GB SATAIII SSD kit



MK-4C-4G DDR4-2133 4GB SDRAM DIMM kit

MK-4C-8G DDR4-2133 8GB SDRAM DIMM kit

MK-4C-16G DDR4-2133 16GB SDRAM DIMM kit



WiFi-AT4550 Atheros, QCNFA324 WiFi module w/ 2\*30cm internal wiring



ANT-D11 1 x Wi-Fi dual-band 2.4G/5G antenna

Core™ i7-7700T Intel® 7th Gen. Core™ i7-7700T processor, L2/8M, 2.9G

Core™ i5-7500T Intel® 7th Gen. Core™ i5-7500T processor, L2/6M, 2.7G

Core™ i3-7101TE Intel® 7th Gen. Core™ i3-7101TE processor, L2/3M, 3.4G



\*CTOS means Configure-to-Order Service.